

PHILIPS

VoiceTracer

智能录音笔

VTR8600

使用手册

User manual





目录

1	欢迎	4
1.1	产品特点	4
2	重要须知	5
2.1	安全	5
2.2	听力保护	5
3	您的录音笔	6
3.1	供货范围	6
3.2	概览	6
4	开始使用	7
4.1	开 / 关机	7
5	主界面功能	8
5.1	标准	8
6	文件	9

7	我的	10
8	充电方法	11
8.1	连接电脑	11
9	常见问题	12
9.1	无法启动	12
9.2	转写不出来	12
9.3	机器死机	12
10	技术参数	13
10.1	存储器	13
10.2	尺寸和重量	13
10.3	系统要求	13
10.4	录音	13
10.5	运行条件	13

1 欢迎

欢迎来到飞利浦世界！您能选择和购买飞利浦的产品，我们非常高兴。您可在我们的官方网站上获得飞利浦公司的全方位技术支持，如：使用手册、软件下载、保修信息等。

www.philips.com

1.1 产品特点

- 内置高性能编解码芯片。
- 以常见的 WAV 格式录音，支持 48KHz 录音。
- 支持录音文件转文本。
- 支持扩展 SD 卡。
- 使用高速 Type-C 快速存取录音文件和数据。
- 可作为 MTP 存储设备，确保最大的兼容性。
- 应用场景：会议录音，采访录音等场景可使用。
- 功能：具有数据传输功能。

2 重要须知

2.1 安全

为了避免短路，切勿将产品放置在触水受潮处。
不要将产品放在加热设备附近或阳光直射的地方。
请注意，切勿挤压电缆，特别是插头处。



小心

- 特别声明：使用本产品前请仔细阅读本说明书，如因人为操作或不可抗力因素而导致数据丢失，本公司一概不予负责。特别提醒用户小心操作，注意将资料另外备份。
- 文字、图像仅作参考。飞利浦保留更改颜色 / 外观 / 设计 / 参数 / 产品功能的权利，硬件、软件、APP 如有更新，恕不另行通知。

2.2 听力保护

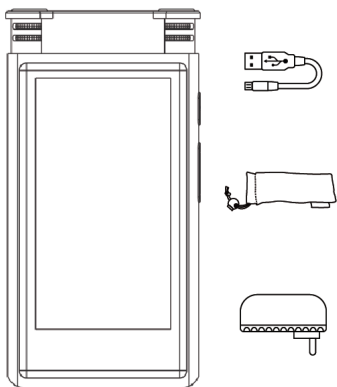
使用耳机时请遵守下列原则：

- 调整至合适的音量，切勿长时间使用耳机。
- 特别需要注意，切勿将音量调至耳朵所能承受的范围之外。

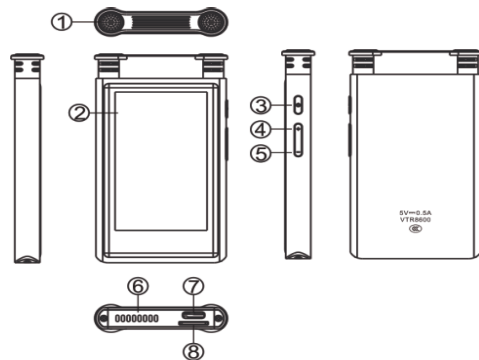
- 切勿将音量调至盖过周边环境的声音。
- 在危险环境下请小心或暂停使用耳机。
- 在驾驶汽车、骑自行车、玩滑板时，切勿使用耳机。否则会导致交通事故，且违反相关法律法规。

3 您的录音笔

3.1 供货范围：



3.2 概览：



① 咪头

③ 电源键

⑤ 音量“-”键

⑦ USB

② 显示屏

④ 音量“+”键

⑥ 喇叭

⑧ SD卡座

4 开始使用

4.1 开 / 关机



注意

- 第一次使用机器时，建议对该机器充电 3 小时左右以确保机器有电工作！

长按开关键，约 3 秒至 4 秒后开机，开机界面显示飞利浦图标，如下图所示：

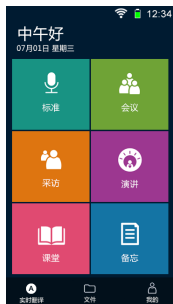


然后机器进入主界面界面，如下图所示：



5 主界面功能

在主页面菜单下包含各个形式的录音模式，参考界面如下：



主界面菜单功能分为 6 个模块，分别为：标准、会议、采访、演讲、课堂、备忘。

标准：可用于在普通场所中进行录音

会议：可用于在会议场所中进行录音

采访：可用于对被采访人员的对话录音

演讲：可用于在演讲场所中进行录音



课堂：可用于在课堂场所中进行录音

备忘：可用于记录事件中进行录音

5.1 标准

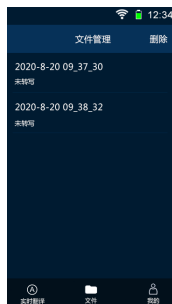
在主页面菜单下点击“标准”，可进入如下图标准录音界面：



在录音状态下，点击“”可暂停录音，这时可以点击“语言”选择识别语言和翻译语言，再次点击可取消暂停，继续录音，点右边的“保存”可保存录音。点击“”可返回到主界面。

6 文件

点击主界面下面的“文件”可进入文件列表，参考界面如下图：



在主界面录音保存的文件储存在这里，点击可打开查看。

7 我的

点击主界面下面的“我的”可进入用户设置界面，参考界面如下图所示：



我的界面包含 WiFi 连接、背光时间、屏幕亮度、定时关机、系统语言、磁盘管理等操作选项。

8 充电方法

使用 USB 数据线将本机与 PC 相连接。

请使用专用充电器充电。

8.1 连接电脑

录音笔作为存储设备，可使用 USB 数据线将录音笔与电脑相连对文件进行存储、备份和移动。



提示

- 在文件移入或移出录音笔时，请不要断开录音笔与电脑的连接，否则会损坏文件。

9 常见问题

此处列举了常见问题的解答，可帮助解决智能录音笔出现的简单问题。如果故障仍无法排除，请咨询经销商或访问我们的官方网站：www.philips.com/support

9.1 无法启动

电池电量已耗尽请及时充电。

9.2 转写不出来

检查确认网络信号是否正常。

9.3 机器死机

长按电源键 10 秒，复位即可。

10 技术参数

10.1 存储器

内置存储空间

内置存储器类型：EMMC

移动存储器 (PC)：是

存储卡：是

WIFI：是

10.2 尺寸和重量

宽 × 高 × 深：98 x 52 x 10.3 (mm)

重量 (含电池)：79 (g)

10.3 系统要求

操作系统：Windows 7/8/10, Mac OS X

接口：Type-C

10.4 录音

标准录音

会议录音

采访录音

演讲录音

课堂录音

备忘录音

10.5 运行条件

温度：5° C - 45° C

空气湿度：10% - 90%，不凝结

Content

1 Welcome	15
1.1 Product features	15
2 Important Notes	16
2.1 Safety	16
2.2 Hearing protection	16
3 Your Voice Recorder	17
3.1 What's in the box	17
3.2 Overview	17
4 Start Using	18
4.1 Switch on/off	18
5 Functions on Main Screen	19
5.1 Standard recording	19
6 Files	20
7 User	21

8 Charging	22
8.1 PC connection	22
9 FAQs	23
9.1 Failure to start	23
9.2 Failure to transcribe	23
9.3 Dead halt	23
10 Technical Parameters	24
10.1 Memory	24
10.2 Dimensions and weight	24
10.3 System requirements	24
10.4 Recording	24
10.5 Operating conditions	24

I Welcome

Welcome to the world of Philips! We are honored by your choice and purchase of Philips' products. You can have Philips' comprehensive technical supports from our website, e.g. user's manuals, software downloading and warranty information etc.

www.philips.com

1.1 Product features

- Built-in high-performance coding and decoding chip;
- Record in the common WAV format with 48KHz;
- Support the conversion of audio files into texts;
- Support expanded SD cards;
- Use high-speed Type-C to access audio files and data quickly;
- Ensure maximum compatibility as an MTP storage device;
- Application scenarios: conference, interview, etc.
- Function: data transmission;

2 Important Notes

2.1 Safety

Do not expose this unit to water and moisture to avoid short circuit.

Do not expose this unit to any heating device or direct sunlight.

Do not pinch the cable, especially at the plug.



Warning

- Special Announcement: Before using the product, please read the Manual carefully. The Company shall not be held liable for any data loss due to incorrect manual operation or force majeure. We specially recommend that users make additional copies of the files in the device.
- Images are for reference only. Philips reserves the right to change the color/appearance/design/parameters/product functions without prior notice.

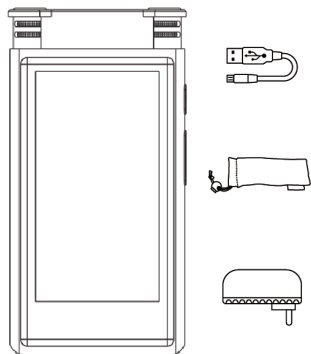
2.2 Hearing protection

Please observe the following provisions when using the earphone:

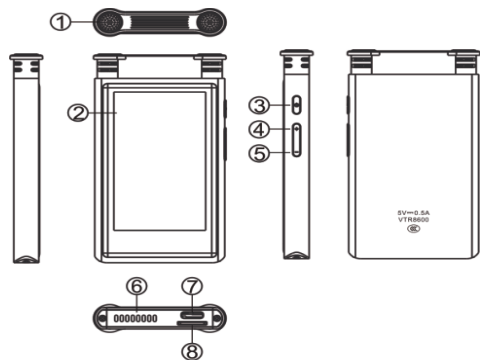
- Adjust it to an appropriate volume, and do not use it for an extended period of time.
- In particular, do not set the volume out of the tolerable range of the ear.
- Do not set the volume beyond ambient sounds. Please use the earphone carefully or suspend using it in a dangerous environment.
- Do not use the earphone while driving, cycling or skating, or else a traffic accident may occur, and a violation of the applicable laws and regulations may be committed.

3 Your Voice Recorder

3.1 What's in the box:



3.2 Overview:



English

- ① Microphone
- ② Screen
- ③ Power key
- ④ Volume "+" key
- ⑤ Volume "-" key
- ⑥ Speaker
- ⑦ USB
- ⑧ SD card slot

4 Start Using

4.1 Switch on/off



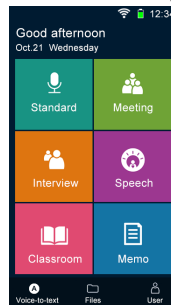
Note

- Please recharge the device for about three hours before using it for the first time!

Hold down the power switch for 3-4 seconds to start this unit. Then the Philips logo displays, as shown below:

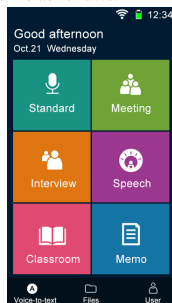


This unit will then enter the main screen, as shown below:



5 Functions on Main Screen

The main screen menu includes various recording modes. The reference screen is as follows:



The main screen menu has 6 functional modules, which are standard, meeting, interview, speech, class and memo.

- Standard: used for recording in ordinary places
- Meeting: used for recording at conferences
- Interview: used to record dialogues of interviewees
- Speech: used to record speeches
- Classroom: used for recording in classrooms
- Memo: used to record events

Click on the search bar to switch quickly to the file screen, and enter a keyword to search for your desired file quickly. In the main interface, file list or user list interface, press the record button of device to directly enter the recording.

5.1 Standard recording

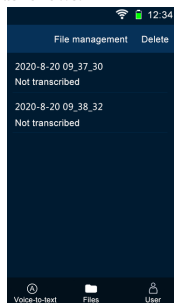
Click on "Standard" in the main screen menu to enter the following standard recording screen:



In the recording state, click the "⏸" to pause the recording, and you can click "Language" to select recognize language and translate language; click again to cancel the pause and continue recording, then click "Save" the right to save the recording. Click "⏪" to return to the main screen.

6 Files

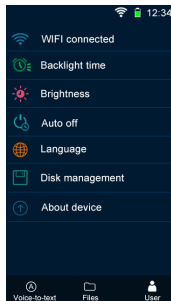
Click on "Files" in the lower part of the main screen. The reference screen is as follows:



Files recorded on the main screen are stored here, you can click them to view.

7 User

Click on “User” in the lower part of the main screen. The reference screen is as follows:



The user interface includes such operation options as WIFI connection, Backlight time, Brightness, Auto off, Language, Disk management, Cloud disk, About device.

8 Charging

Use a USB data cable to connect this unit to a PC.
Please use the dedicated charger for charging.

8.1 PC connection

As a storage device, the recorder may be connected to a PC with a USB data cable for file storage, backup and moving.



Reminder

- In case that the document is moved into or out of the recorder, please do not disconnect the recorder away from the computer; otherwise, the document may be damaged.

9 FAQs

Here, we list the answers to FAQs to help you solve simple problems regarding this intelligent recorder. If the fault still cannot be eliminated, please consult the dealer or visit our official website: www.philips.com/support.

9.1 Fail to start

The battery has run out. Please charge it timely.

9.2 Fail to transcribe

Check if the network signal is normal.

9.3 Dead halt

Hold down the power key for 10 seconds to reset it.

10 Technical Parameters

10.1 Memory

Built-in storage space
Built-in memory type: EMMCP
Mobile memory (PC): Yes
Storage card: Yes
WIFI: Yes

10.2 Dimensions and weight

Width × height × depth: 98 × 52 × 10.3 (mm)
Weight (including battery): 79 (g)

10.3 System requirements

Operating system: Windows 7/8/10, Mac OS X
Interface: Type-C

10.4 Recording

Standard recording
Meeting recording

Interview recording
Speech recording
Class recording
Memo recording

10.5 Operating conditions

Temperature: 5°C-45°C
Air humidity: 10%-90%, non-condensing

Warranty card

质保书

1 year warranty

一年质保

Type: VTR8600

Serial nr: _____

Date of purchase

购买日期

Dealer's name, address and signature

销售商名称、地址及签字

www.philips.com/welcome

This document is printed on chlorine free produced paper
Data subject to change without notice

This product was brought to the market by Speech Processing Solutions GmbH or one of its affiliates, further referred to in this document as SPS, which is the manufacturer of the product. SPS is the warrantor in relation to the product with which this booklet was packaged.

For China only
只限中国地区

Printed in China





