



# 使用手册

# User manual



# 目录

---

1	欢迎	4
1.1	产品特点	4
2	重要须知	5
2.1	安全	5
2.2	听力保护	5
3	您的录音笔	6
3.1	供货范围	6
3.2	概览	6
4	开始使用	8
5	主界面功能	9
5.1	标准	9
5.2	备忘	10
6	边录边写	11

---

7	文件	12
8	用户	13
8.1	人脸识别	13
8.2	指纹解锁	14
9	充电方法	15
10	常见问题	16
10.1	无法启动	16
10.2	转写不出来	16
10.3	机器死机	16
11	技术参数	17
11.1	存储器	17
11.2	尺寸和重量	17
11.3	系统要求	17
11.4	录音	17
11.5	运行条件	17

# 1 欢迎

---

欢迎来到飞利浦世界！您能选择和购买飞利浦的产品，我们非常高兴。您可在我们的官方网站上获得飞利浦公司的全方位技术支持，如：使用手册、软件下载、保修信息等。

[www.philips.com](http://www.philips.com)

---

## 1.1 产品特点

- 内置高性能编解码芯片。
- 以常见的 WAV 格式录音，支持 96KHz, 16 位 PCM 录音。
- 支持录音文件转文本。
- 互联互通。
- 支持文件分享功能。
- 支持扩展 SD 卡。
- 使用高速 Type-C 快速存取录音文件和数据。
- 可作为 MTP 存储设备，确保最大的兼容性。

## 2 重要须知

---

### 2.1 安全

为了避免短路，切勿将产品放置在触水受潮处。  
不要将产品放在加热设备附近或阳光直射的地方。  
请注意，切勿挤压电缆，特别是插头处。



#### 小心

- 特别声明：使用本产品前请仔细阅读本说明书，如因人为操作或不可抗力因素而导致数据丢失，本公司一概不予负责。特别提醒用户小心操作，注意将资料另外备份。
- 图像仅作参考。飞利浦保留更改颜色 / 外观 / 设计 / 参数 / 产品功能的权利，硬件、软件、APP 如有更新，恕不另行通知。

---

### 2.2 听力保护

使用耳机时请遵守下列原则：

- 调整至合适的音量，切勿长时间使用耳机。
- 特别需要注意，切勿将音量调至耳朵所能承受的范围之外。
- 切勿将音量调至盖过周边环境的声音。

- 在危险环境下请小心或暂停使用耳机。
- 在驾驶汽车、骑自行车、玩滑板时、切勿使用耳机。否则会导致交通事故，且违反相关法律法规。

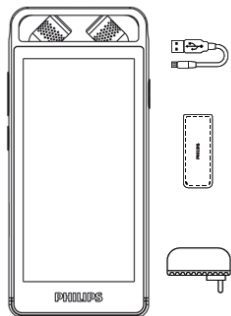
## 3 您的录音笔

### 3.1 供货范围：

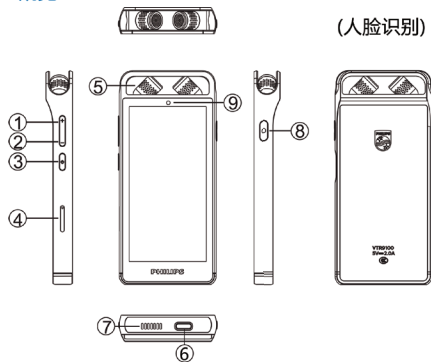


提示

- 下面是两款不同功能的按键示意图，一款是带摄像头可以进行人脸识别解锁的版本，一款是带指纹可以进行指纹解锁的版本，两款机器解锁方式不同，解锁功能不可共用，需区分。



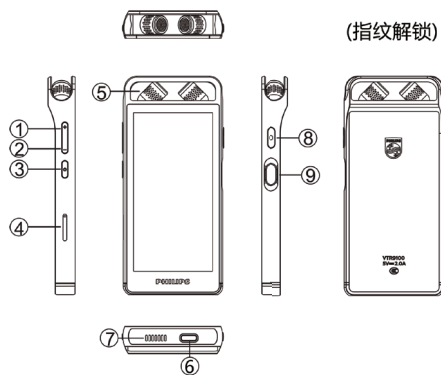
### 3.2 概览：



注意

- 激活人脸识别解锁，请参考页面13。

- |          |            |
|----------|------------|
| ① 音量“+”键 | ② 音量“-”键   |
| ③ 电源键    | ④ 内存卡/SIM卡 |
| ⑤ 咪头     | ⑥ USB      |
| ⑦ 喇叭     | ⑧ 录音键      |
| ⑨ 摄像头    |            |



注意

• 激活指纹识别解锁，请参考页面 14。

- |          |            |
|----------|------------|
| ① 音量“+”键 | ② 音量“-”键   |
| ③ 电源键    | ④ 内存卡/SIM卡 |
| ⑤ 咪头     | ⑥ USB      |
| ⑦ 喇叭     | ⑧ 录音键      |
| ⑨ 指纹识别凹槽 |            |

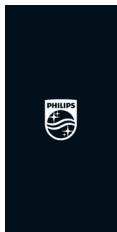
## 4 开始使用

### 4.1 开 / 关机

#### 注意

- 第一次使用机器时，建议对该机器充电 3 小时左右以确保机器有电工作！
- 当不使用人脸识别或指纹解锁时，可使用设置密码进行机器解锁。

长按开关键，约 3 秒至 4 秒后开机，开机界面显示飞利浦图标，如下图所示：



然后机器进入主界面界面，如下图所示：





## 5 主界面功能

在主页面菜单下包含各个形式的录音模式，参考界面如下：



主界面菜单功能分为 6 个模块，分别为：标准、会议、采访、演讲、课堂、备忘。

**标准：**可用于在普通场所中进行录音

**会议：**可用于在会议场所中进行录音

**采访：**可用于对被采访人员的对话录音

**演讲：**可用于在演讲场所中进行录音

**课堂：**可用于在课堂场所中进行录音



**备忘：**可用于记录事件中进行录音

点击“搜索”栏可以快捷切换到“文件”界面，输入关键字可以快速搜索想要查找的文件。

### 5.1 标准

在主页面菜单下点击“标准”，可进入如下图标准录音界面：



在录音状态下，点击“”可暂停录音，再次点击可取消暂停，继续录音，点右边的“完成”可保存录音。点击“”可返回到主界面。在录音的时候，在某个时间点，标记重要的事情，可以点击“标记”，标记当前的时间，在文件回放的时候选择“查

看标记”，定位到标记的时间点进行播放。  
采访、会议、演讲、课堂录音操作可参考 5.1 的标准录音。

## 5.2 备忘

在主页菜单下点击“备忘”，可进入如下图备忘录音界面：



备忘录音更易于方便保存，适用于记录事件时所使用的模式。  
进入备忘界面，长按“+”会弹出识别语音弹框，开始识别语音，  
点击“✓”结束语音并保存。点击保存的文件可以查看文本  
并编辑，点击“🔊”可以播放音频。如下图：



## 6 边录边写

点击主界面下面的“边录边写”参考界面如下图：



在边录边写界面下点击“▶”后可进行边录边转写功能，录音转写后，点击右下角“完成”即可保存。

点击右上角“☰”会弹出“打开翻译”的弹框，这里可以选择打开 / 关闭翻译，还可以选择想要翻译的语言。

## 7 文件

点击主界面下面的“文件”参考界面如下图：



- (1) 在主界面录音后的文件和边录边写录音后的文件保存储存在这里，分为“录音文件”和“边录边写文件”，点击可打开查看。
- (2) 在播放界面中可进行音频编辑，音频编辑功能有音频转写、文本编辑、剪切音频、合成音频。音频转写可识别语言转写文本，文本编辑可编辑已转写的文本，剪切音频可以截取音频，合成音频可合成音频。

## 8 用户

点击主界面下面的“用户”参考界面如下图：



用户界面包含我的云盘、WIFI 连接、蓝牙设置、系统语言、屏幕亮度、存储位置、时间、使用说明、检查更新、开放源代码许可、关于本机等操作选项。

### 8.1 人脸识别

在“用户”界面点击用户名称“飞利浦录音笔”，进入“用户管理”界面，先“绑定手机号码”后“设置安全码”，接着点击“添加用户”，如下图：



添加用户先“设置用户名”后“设置锁屏密码”，接着进入“添加人脸”界面，添加人脸成功后会自动跳转回“用户管理”界面，在这个界面先打开“密码解锁”，再打开“人脸识别”，这样人脸识别就设置成功了，机器进入休眠后唤醒就要人脸或者密码解锁屏幕。

## 8.2 指纹解锁

在“用户”界面点击“隐私与安全”进入“安全”界面，选择“指纹”会进入“选择屏幕锁定方式”界面，参考如下图：



在“选择屏幕锁定方式”界面先选择一种方式，例如选择“指纹+图案”，先设置解锁图案，接着选择一种显示锁定屏幕的方式，再录入指纹（可以添加5个指纹），最后点击“完成”就能使用指纹解锁了，机器休眠后唤醒就要指纹或者图案解锁屏幕。其他锁定方式也是类似步骤添加，参考下图：



## 9 充电方法

---

- (1) 请使用专用充电器充电。
- (2) 使用 USB 线与电脑连接充电。录音笔作为存储设备，可使用 USB 数据线与电脑连接对文件进行存储、备份和移动。



提示

- 在文件移入或移出录音笔时，请不要断开录音笔与电脑的连接，否则会损坏文件。

## 10 常见问题

---

此处列举了常见问题的解答，可帮助解决智能录音笔出现的简单问题。如果故障仍无法排除，请咨询经销商或访问我们的官方网站：[www.philips.com/support](http://www.philips.com/support)

---

### 10.1 无法启动

电池电量已耗尽请及时充电。

---

### 10.2 转写不出来

检查确认网络信号是否正常。

---

### 10.3 机器死机

长按电源键 10 秒，复位即可。



## 11 技术参数

---

### 11.1 存储器

内置存储空间

内置存储器类型：EMMC

移动存储器 (PC)：是

存储卡：是

WIFI：是

---

### 11.2 尺寸和重量

宽 × 高 × 深：58 x 129 x 11.5 (mm)

重量 (含电池)：135 (g)

---

### 11.3 系统要求

操作系统：Windows 7/8/10, Mac OS X

接口：USB 接口

### 11.4 录音

标准录音

会议录音

采访录音

演讲录音

课堂录音

备忘录音

---

### 11.5 运行条件

温度：5° C - 45° C

空气湿度：10% - 90%，不凝结

# Content

---

<b>1 Welcome</b>	<b>19</b>
1.1 Product features	19
<b>2 Important Notes</b>	<b>20</b>
2.1 Safety	20
2.2 Hearing protection	20
<b>3 Your Voice Recorder</b>	<b>21</b>
3.1 What's in the box	21
3.2 Overview	21
<b>4 Start Using</b>	<b>23</b>
<b>5 Functions on Main Screen</b>	<b>24</b>
5.1 Standard recording	24
5.2 Memo	25
<b>6 Voice-to-text</b>	<b>26</b>
<b>7 Files</b>	<b>27</b>

---

<b>8 User</b>	<b>28</b>
8.1 Face recognition	28
8.2 Fingerprint unlocking	29
<b>9 Charging</b>	<b>30</b>
<b>10 FAQs</b>	<b>31</b>
10.1 Failure to start	31
10.2 Failure to transcribe	31
10.3 Reset	31
<b>11 Technical Parameters</b>	<b>32</b>
11.1 Memory	32
11.2 Dimensions and weight	32
11.3 System requirements	32
11.4 Recording	32
11.5 Operating conditions	32

## I Welcome

---

Welcome to the world of Philips! We are honored by your choice and purchase of Philips' products. You can have Philips' comprehensive technical supports from our website, e.g. user manual, software downloading and warranty information etc. [www.philips.com](http://www.philips.com)

---

### 1.1 Product features

- Built-in high-performance coding and decoding chip;
- Record in the common WAV format, support 96KHz, 16-digit PCM recording;
- Support the conversion of audio files into texts;
- Support WIFI;
- Support file sharing;
- Support expanded SD cards;
- Use high-speed Type-C to access audio files and data quickly;
- Ensure maximum compatibility as an MTP storage device.

## 2 Important Notes

---

### 2.1 Safety

Do not expose this unit to water and moisture to avoid short circuit.

Do not expose this unit to any heating device or direct sunlight.

Do not pinch the cable, especially at the plug.



#### Warning

- Special Announcement: Before using the product, please read the Manual carefully. The Company shall not be held liable for any data loss due to incorrect manual operation or force majeure. We specially recommend that users make additional copies of the files in the device.
- Images are for reference only. Philips reserves the right to change the color/appearance/design/parameters/product functions without prior notice.

---

### 2.2 Hearing protection

Please observe the following provisions when using the earphone:

- Adjust it to an appropriate volume, and do not use it for an extended period of time.
- In particular, do not set the volume out of the tolerable range of the ear.
- Do not set the volume beyond ambient sounds. Please use the earphone carefully or suspend using it in a dangerous environment.
- Do not use the earphone while driving, cycling or skating, or else a traffic accident may occur, and a violation of the applicable laws and regulations may be committed.

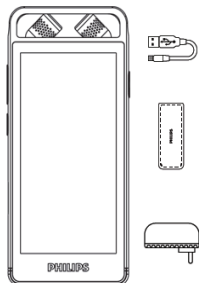
## 3 Your Voice Recorder

### 3.1 What's in the box:

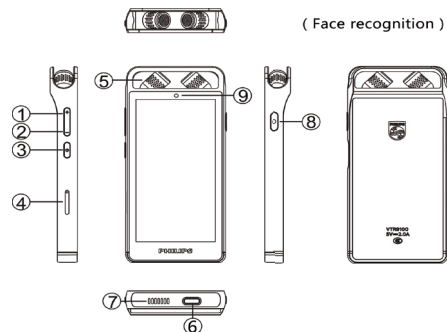


#### Reminder

- The following is the schematic diagram of two buttons with different functions, one is the version that can be used for face recognition unlocking, and the other version can be used for fingerprint unlocking. The two devices have different unlocking methods and the unlocking functions can not be shared and need to be distinguished



### 3.2 Overview:



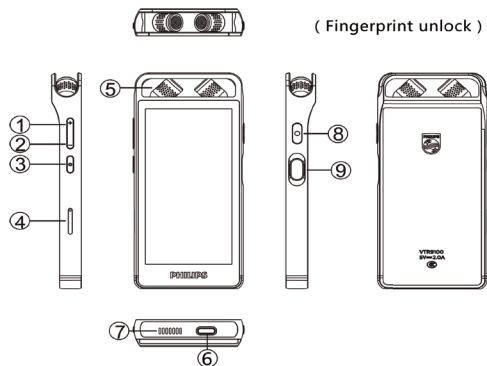
English



#### Note

- How to activate the face recognition lock, pls refer to page 28.

- |                  |                          |
|------------------|--------------------------|
| ① Volume "+" key | ② Volume "-" key         |
| ③ Power key      | ④ Memory card / SIM card |
| ⑤ Microphone     | ⑥ USB                    |
| ⑦ Speaker        | ⑧ Record key             |
| ⑨ Camera         |                          |



#### Note

- How to activate the fingerprint lock, pls refer to page 29.

- |                    |                          |
|--------------------|--------------------------|
| ① Volume "+" key   | ② Volume "-" key         |
| ③ Power key        | ④ Memory card / SIM card |
| ⑤ Microphone       | ⑥ USB                    |
| ⑦ Speaker          | ⑧ Record key             |
| ⑨ Fingerprint slot |                          |

## 4 Start Using

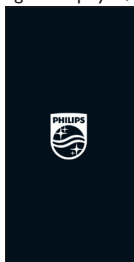
### 4.1 Switch on/off



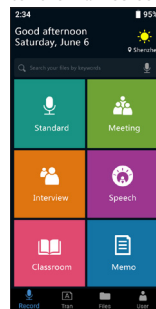
#### Note

- Please recharge the device for about three hours before using it for the first time!
- When not using face recognition or fingerprint unlocking, the recorder can be unlocked by setting a password.

Hold down the power switch for 3-4 seconds to start this unit. Then the Philips logo is displayed, as shown below:

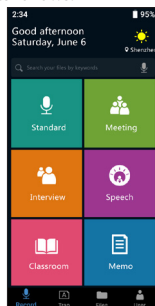


This unit will then enter the main screen, as shown below:



## 5 Functions on Main Screen

The main screen menu includes various recording mode. The reference screen is as follows:

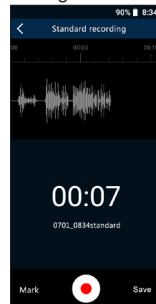


The main screen menu has 6 functional modules, which are standard, meeting, interview, speech, classroom and memo.  
Standard: used for recording in ordinary places  
Meeting: used for recording at conferences  
Interview: used to record dialogues of interviewees  
Speech: used to record speeches  
Classroom: used for recording in classrooms  
Memo: used to record events

Click on the search bar to switch quickly to the file screen, and enter a keyword to search for your desired file quickly.

### 5.1 Standard recording

Click on "Standard" in the main screen menu to enter the following standard recording screen:



In the recording state, click the "●" to pause the recording, click again to cancel the pause and continue recording, then click the "Save" on the right to save the recording. Click on "←" to return to the main screen. To mark an important thing during recording, click on "Mark" at the corresponding time point to mark the current time; during file playback,



select “View Mark” to go to the marked time point for playback.

Meeting, interview, speech, classroom recording operation please refer to 5.1 standard recording.

## 5.2 Memo

Click on “Memo” in the main screen menu to enter the following memo recording screen:



The memo is easier for saving, and applies to event recording. After entering the memo recording screen, hold down “+” to pop up a voice recognition box and start voice recognition, and click on “✓” to end voice recognition and

save. Click on the saved file to view and edit the text, and click on “🔊” to play the audio file, as shown below:



## 6 Voice-to-text

---

Click on “Text” in the lower part of the main screen. The reference screen is as follows:

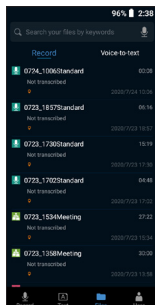


Click on “▶” on the screen of Record while writing, to sync transcribe being recorded. After transcription, click on “Save” in the lower right corner to save it.

Click on “☰” in the upper right corner to pop up an “turn on intelligent translation” box, where you can switch on / off the translation, and select your desired language.

## 7 Files

Click on “Files” in the lower part of the main screen. The reference screen is as follows:

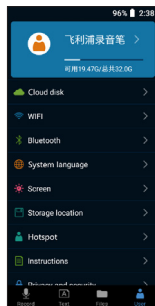


- (1) Files recorded on the main screen and those generated after concurrent recording and writing are stored here, and divided into “Record” and “Voice-to-text”. Click on them to open and view them.
- (2) Audio editing can be carried out in the playback screen. The audio editing functions include “Audio transliteration”, “Edit text”, “Cut audio” and “Insert audio”. “Audio transliteration” to select your desired language for

transcription; “Edit text” to edit the transcribed text; “Cut audio” to clip an audio file; “Insert audio” to synthesize the audio.

## 8 User

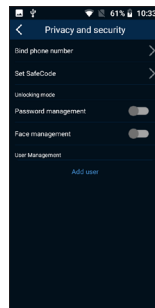
Click on “User” in the lower part of the main screen. The reference screen is as follows:



The user interface includes such as Cloud disk, WIFI, Bluetooth, System language, Screen, Storage location, Time, Instructions, Updates and Open source license.

### 8.1 Face recognition

In “User” mode, please click “Philips” to enter the interface of “Privacy and security”. First, you need to bind your phone number to “Set safeCode”, then click “Add user”, as shown in the figure below.

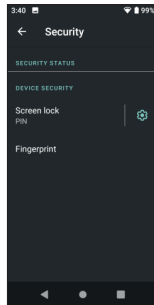


As for adding a user account, please first “Set a username” and “set a lock screen password”, then enter the interface of “Add a face”. After you add the face successfully, the interface will return to the “Privacy and security” interface automatically, in which you need to open the “Password management” and “Face management”. After doing these steps, the face

recognition unlocking will be set successfully and please notice that whenever the device needs to be woke, you need to use face recognition or password unlocking to unlock the screen.

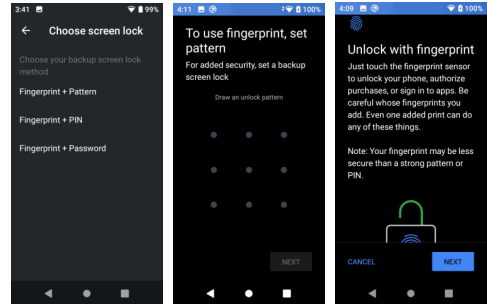
## 8.2 Fingerprint unlocking

In the “User” interface, click “Privacy and security” to enter the “Security” interface, and select “Fingerprint” to enter the “Choose screen lock” interface, as shown in the following figure:



Firstly, please select a lock method in the “Choose screen lock” interface, for example, select “Fingerprint + Pattern” and set an unlock pattern; then, select a way to display the

lock screen, and input fingerprints (five fingerprints can be added); finally, click “Finish” to unlock the fingerprint. After the device sleeps, it needs fingerprint or pattern to wake the screen. Other lock methods are also added in similar steps. Please refer to the following figures:



English

## 9 Charging

---

- (1) Please use the dedicated charger for charging.
- (2) As a storage device, the recorder may be connected to a PC with a USB data cable for file storage, backup and moving.



### Reminder

- In case that the document is moved into or out of the recorder, please do not disconnect the recorder away from the computer; otherwise, the document may be damaged.

## 10 FAQs

---

Here, we list the answers to FAQs to help you solve simple problems regarding this intelligent recorder. If the fault still cannot be eliminated, please consult the dealer or visit our official website: [www.philips.com/support](http://www.philips.com/support).

---

### 10.1 Failure to start

The battery has run out. Please charge it timely.

---

### 10.2 Failure to transcribe

Check if the network signal is normal.

---

### 10.3 Reset

Hold down the power key for 10 seconds to reset it.

## II Technical Parameters

---

### 11.1 Memory

Built-in storage space  
Built-in memory type: EMMCP  
Mobile memory (PC): Yes  
Storage card: Yes  
WIFI: Yes

---

### 11.2 Dimensions and weight

Width × height × depth: 58 × 129 × 11.5 (mm)  
Weight (including battery): 135 (g)

---

### 11.3 System requirements

Operating system: Windows 7/8/10, Mac OS X  
Interface: USB

---

### 11.4 Recording

Standard recording  
Meeting recording

Interview recording  
Speech recording  
Classroom recording  
Memo recording

---

### 11.5 Operating conditions

Temperature: 5°C-45°C  
Air humidity: 10%-90%, non-condensing





**Warranty card**

**质保书**

1

year warranty

一年质保

Type:VTR9100

Serial nr:  
\_\_\_\_\_

Date of purchase

购买日期  
\_\_\_\_\_

Dealer's name, address and signature

销售商名称、地址及签字  
\_\_\_\_\_

**[www.philips.com/welcome](http://www.philips.com/welcome)**

This document is printed on chlorine free produced paper  
Data subject to change without notice

This product was brought to the market by Speech Processing Solutions GmbH or one of its affiliates, further referred to in this document as SPS, which is the manufacturer of the product. SPS is the warrantor in relation to the product with which this booklet was packaged.

For China only  
仅限中国地区

Printed in China





